

**YB125T-6**

**零 件 目 录**

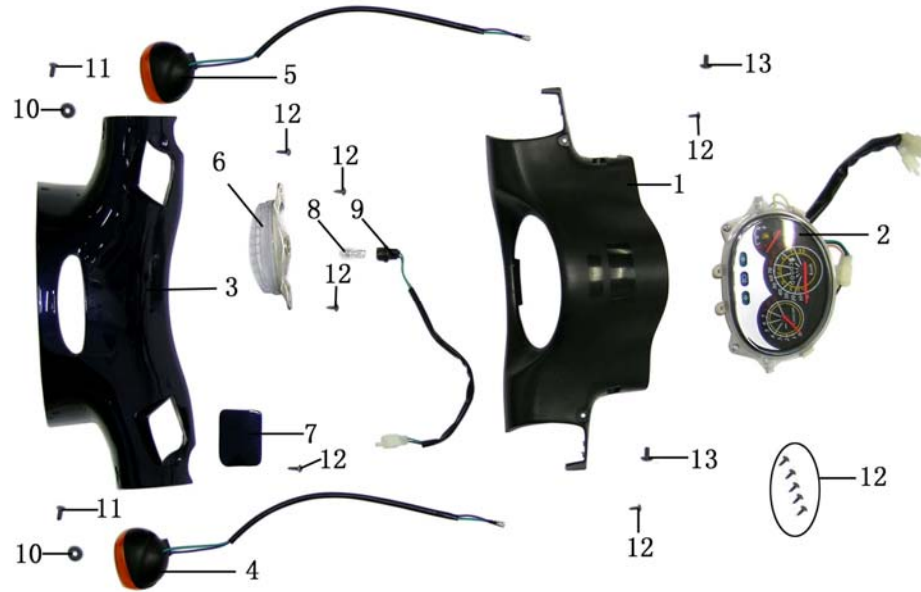
**PARTS CATALOGUE**

# Content

<b>1.SPEEDOMETER</b> .....	<b>01-02</b>	<b>12.MUFFLER</b> .....	<b>14</b>
<b>2.FRONT COVER</b> .....	<b>03</b>	<b>13.HANDLERBAR</b> .....	<b>15-16</b>
<b>3. REAR RACK</b> .....	<b>04</b>	<b>14.SEAT ASSY</b> .....	<b>17</b>
<b>4.TAILLIGHT</b> .....	<b>05</b>	<b>15.FUEL BOX</b> .....	<b>18</b>
<b>5.ALL LOCK</b> .....	<b>06</b>	<b>16.VEHICLE FRAME</b> .....	<b>20-21</b>
<b>6. PROTECTING</b> .....	<b>07</b>	<b>17.ELECTRIC ASSY</b> .....	<b>22-23</b>
<b>7.FOOT BOARD</b> .....	<b>08-09</b>	<b>18.FRONT ABSORBER</b> .....	<b>24-25</b>
<b>8.LUGGAGE</b> .....	<b>10</b>	<b>19.REAR WHEEL ASSY</b> .....	<b>26-27</b>
<b>9.PLASTIC(LEFT/RIGHT)</b> .....	<b>11</b>	<b>20.CABLE</b> .....	<b>28</b>
<b>10.FRONT SHIELD</b> .....	<b>12</b>	<b>21.FRONT WHEEL ASSY</b> .....	<b>29</b>
<b>11.AIR FILTER ASSY</b> .....	<b>13</b>		

一、仪表、仪表罩 SPEEDOMETER

NO: 01



NO.	Part NO.	Description	Description in English	数量 Qty	price
1.	010001	后仪表罩	COVER of SPEEDOMETER, REAR	1	
2.	010002	仪表	SPEEDOMETER	1	
3.	010003	前仪表罩	COVER of SPEEDOMETER, FRONT	1	
4.	010004	前左转向灯	TURNING LIGHT, LEFT	1	
5.	010005	前右转向灯	TURING LIGHT, RIGHT	1	
6.	010006	前装饰灯	FRONT PROTECTING LIHGT	1	
7.	010007	碟刹窗盖板	COVER, DISK BRAKE	1	
8.	010008	前装饰灯灯泡	BULB OF FRONT PROTECTING LIGHT	1	
9.	010009	前装饰灯线	CABLE OF FRONT PROTECTING LIGHT	1	
10.	010010	垫圈 $\Phi 6 \times \Phi 16$	WASHER $\Phi 6 \times \Phi 16$	4	
11.	010011	平头螺钉 $M5 \times 16$	SCREW $M5 \times 16$	4	
12.	010012	自攻螺钉 $ST4.2 \times 12$	SELF-TAPPINGSCREW $ST4.2 \times 12$	22	
13.	010013	十字中扁头螺钉 $M6 \times 12$	SCREW $M6 \times 12$	4	

二、前面板 FRONT COVER

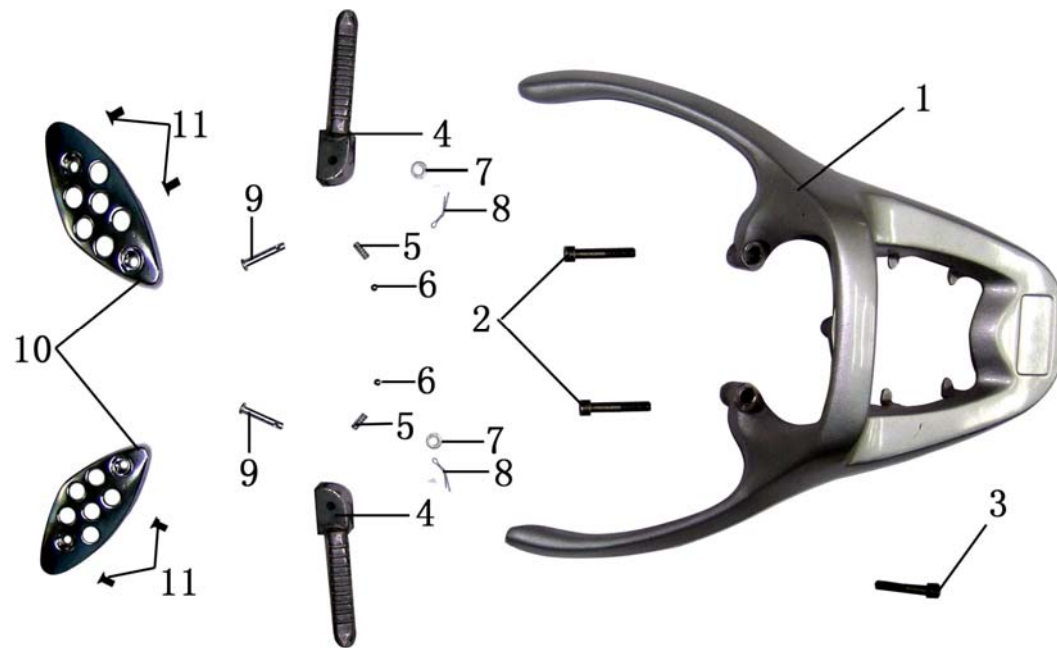
NO: 02



NO.	Part NO.	Description	Description in English	数量 Qty	PEICE
1.	020001	前大罩	FRONT COVER	1	
2.	020002	大灯网罩	COVER OF HEADLIGHT	1	
3.	020003	前大灯	HEADLIGHT	1	
4.	020004	前大灯灯泡 12V 35W	BULB OF HEADLIGHT12V 35W	1	
5.	020005	自攻螺钉 ST4.2×12	SELF-TAPPING SCREW ST4.2×12	4	
6.	020006	前大灯灯线	Cable, Head Light	1	
7.	020007	自攻螺钉 ST4.2×16	SELF-TAPPING SCREW ST4.2×16	10	
8.	020008	夹片	Clip	10	
9.	020009	十字中扁头 M6×12	SCREW M6×12	4	

三、载物架组件 REAR RACK

NO: 03



NO.	Part NO.	Description	Description in English	数量 Qty	PRICE
1.	030001	载物架	REAR RACK	1	
2.	030002	内六角螺栓 M8X45	BOLT M8X45	2	
3.	030003	内六角螺钉 M8×40	SCREW M8×40	1	
4.	030004	脚蹬	PEDAL	2	
5.	030005	弹簧	SPRING	2	
6.	030006	滚珠 Φ6	UPPER BALL Φ6	2	
7.	030007	垫片 Φ6×Φ12	WASHER Φ6×Φ12	2	
8.	030008	脚蹬梢	PIN	2	
9.	030009	脚蹬轴 6×32	AXLE	2	
10.	030010	装饰片	PROTECTING PLATE	2	
11.	030011	平头螺钉 M6×12	SCREW M6×12	4	

四、后尾灯组件 TAILLIGHT

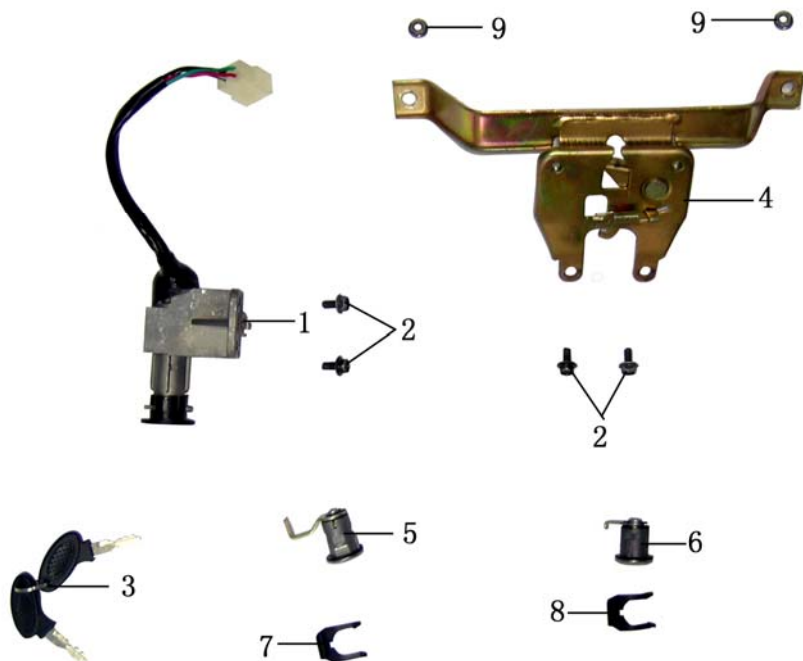
NO: 04



NO.	Part NO.	Description	Description in English	数量 Qty	PRICE
1.	040001	尾灯	TAILLIGHT	10	
2.	040002	后左转向灯	REAR TURN LIGHT, LEFT	5	
3.	040003	后右转向灯	REAR TURN LIGHT, RIGHT	5	
4.	040004	后泥板	REAR FENDER	6	
5.	040005	后内挡泥板	FENDER OF WHEEL	4	
6.	040006	后尾灯灯泡	BULB OF TAILLIGHT	2	
7.	040007	后回复反射器	REFLECTOR	4	
8.	040008	垫片	WASHER	2	
9.	040009	六角法兰面螺母 M6	HEXAGON BOLT	2	

五、锁类 ALL LOCK

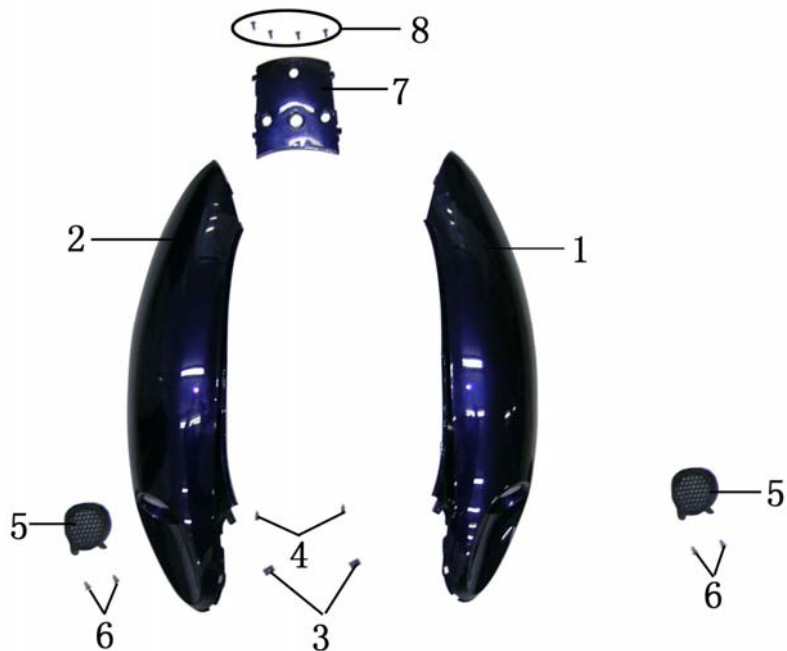
NO: 05



NO.	Part NO.	Description	Description in English	数量 Qty	PRICE
1.	050001	点火开关	IGNITION LOCK	2	
1.	050002	六角法兰面螺栓 M6×12	HEXAGON M6×12	4	
2.	050003	钥匙	KEY	2	
3.	050004	座垫锁架	BRACKET OF SEAT LOCK	2	
4.	050005	座垫锁	SEAT LOCK	1	
5.	050006	工具箱锁	LOCK OF LUGGAGE	1	
6.	050007	座垫锁板	SEAT LOCK PLATE	2	
7.	050008	工具箱锁卡板	CLIP OF LUGGAGE	2	
8.	050009	六角法兰面螺母 M6	HEXAGON BOLT		

六、左、右装饰板 PROTECTING

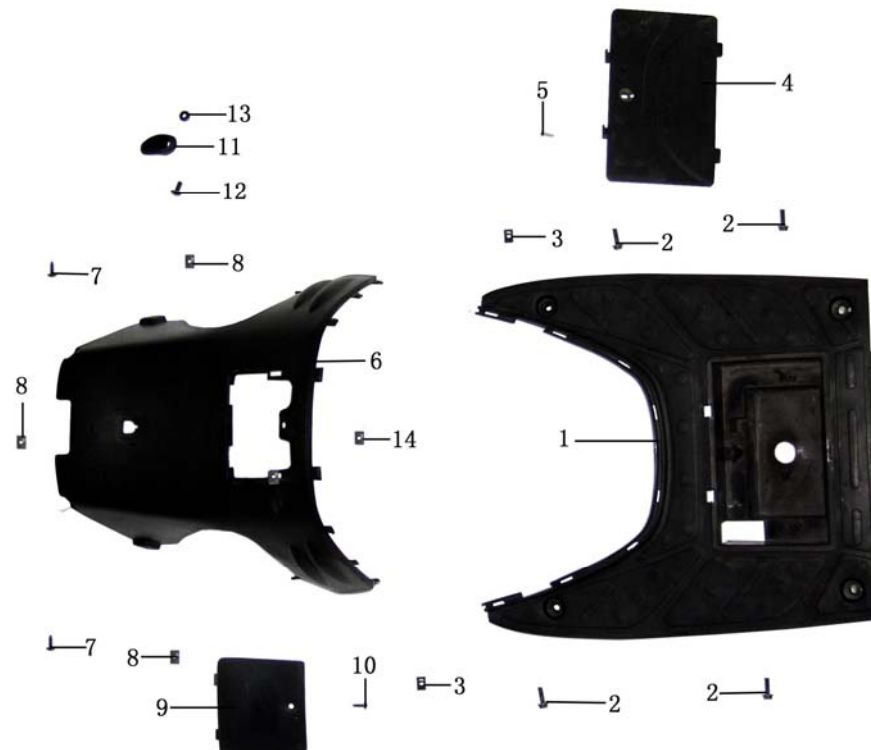
NO: 06



NO.	Part NO.	Description	Description in English	数量 Qty	PRICE
1.	060001	左装饰板	PROTECTING PLATE LEFT	1	
2.	060002	右装饰板	PROTECTING PLATE RIGHT	1	
3.	060003	夹片	CLIP	2	
4.	060004	自攻螺钉 ST4.2×12	SELT-TAPPING SCREW ST4.2×12	2	
5.	060005	左右装饰板风隔	AIRWAY OF PROTECTING PLATE, LEFT&RIGHT	2	
6.	060006	自攻螺钉 ST4.2×12	SELF-TAPPING SCREW ST4.2×12	4	
7.	060007	后装饰板	PROTECTING PLATE, REAR	1	
8.	060008	自攻螺钉 ST4.2×12	SELF-TAPPING SCREW ST4.2×12	4	

七、脚踏板组件 FOOT BOARD

NO: 07

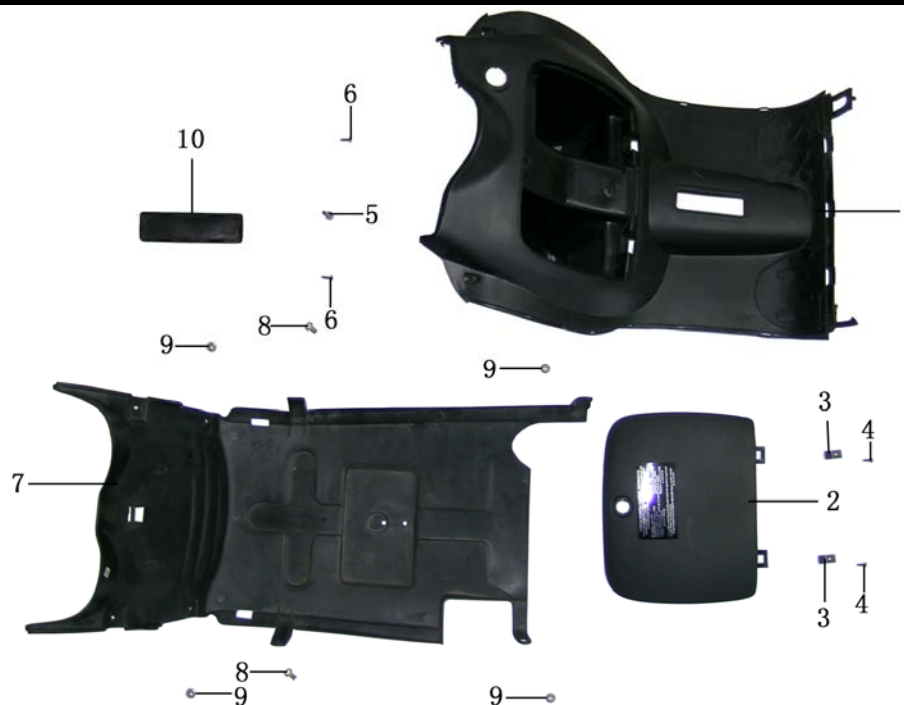


NO.	Part NO.	Description	Description in English	数量 Qty	PRICE
1.	070001	脚踏板	FOOT BOARD	1	
2.	070002	六角法兰面螺栓 M6×20	BOLT M6×20	4	
3.	070003	夹片	CLIP	2	
4.	070004	电瓶盖	COVER OF BATTERY	1	
5.	070005	自攻螺钉 ST4.8×12	SELF-TAPPING SCREW ST4.8×12	2	
6.	070006	杂物箱前罩	FRONT COVER OF LUGGAGE	1	
7.	070007	自攻螺钉 ST4.8×16	SELF-TAPPING SCREW ST4.8×16	2	
8.	070008	夹片	CLIP	3	
9.	070009	杂物箱前罩小盖	COVER OF BATTERY	1	
10.	070010	自攻螺钉 ST4.8×16	SELF-TAPPING SCREW ST4.8×16	2	



八、工具箱组件 FRONT LUGGAGE

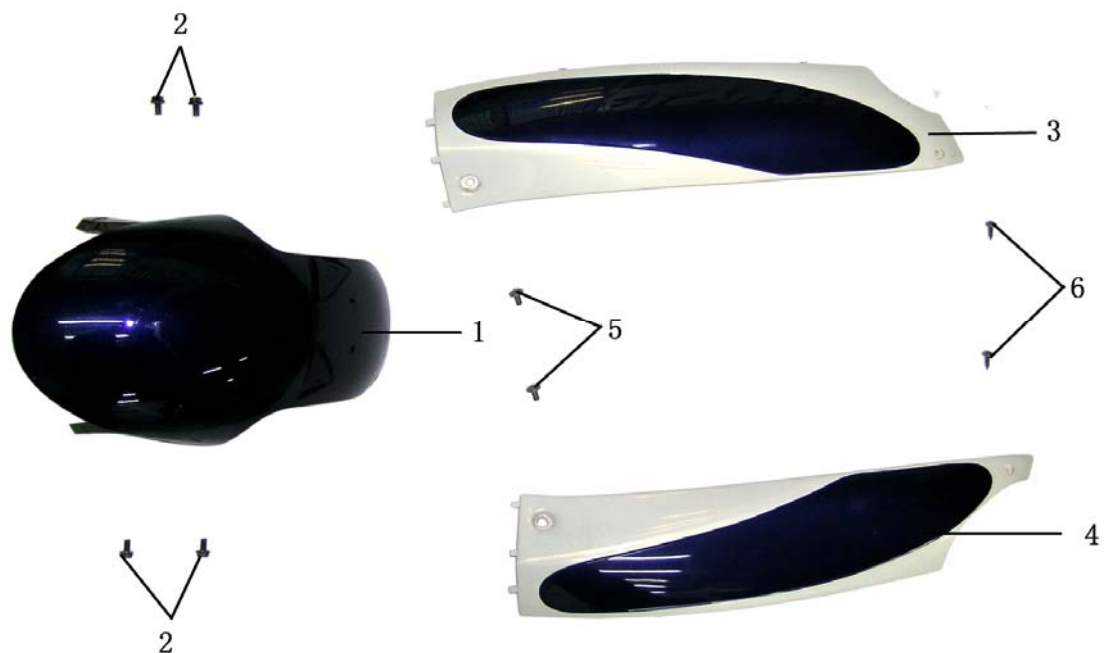
NO: 09



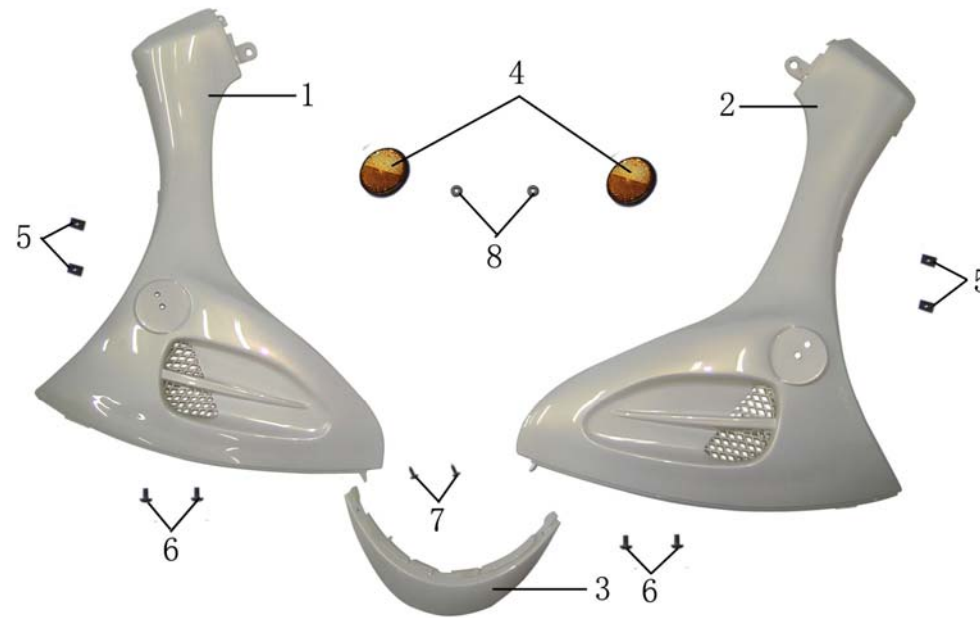
N0.	Part NO.	Description	Description in English	数量 Qty	PRICE
1.	080001	工具箱	TOOL BOX	1	
2.	080002	工具箱盖	COVER OF TOOL BOX	1	
3.	080003	工具箱盖挂钩	HOOK, COVER OF TOOL BOX	2	
4.	080004	自攻螺钉 ST3.8×12	SELF-TAPPING SCREW ST3.8×12	4	
5.	080005	六角法兰面螺栓 M6×12	HEXAGON BOLT M6×12	2	
6.	080006	自攻螺钉 ST3.8×16	SELF-TAPPING SCREW ST3.8×16	4	
7.	080007	车架档泥板	FENDER OF VEHICLE	8	
8.	080008	六角法兰面螺栓 M6×12	HEXAGON BOLT M6×12	4	
9.	080009	六角法兰面螺母 M6	BOLT M6	8	
10.	080010	车架号码盖	VIN NUMBER COVER	2	

九、左、右护条

NO: 10



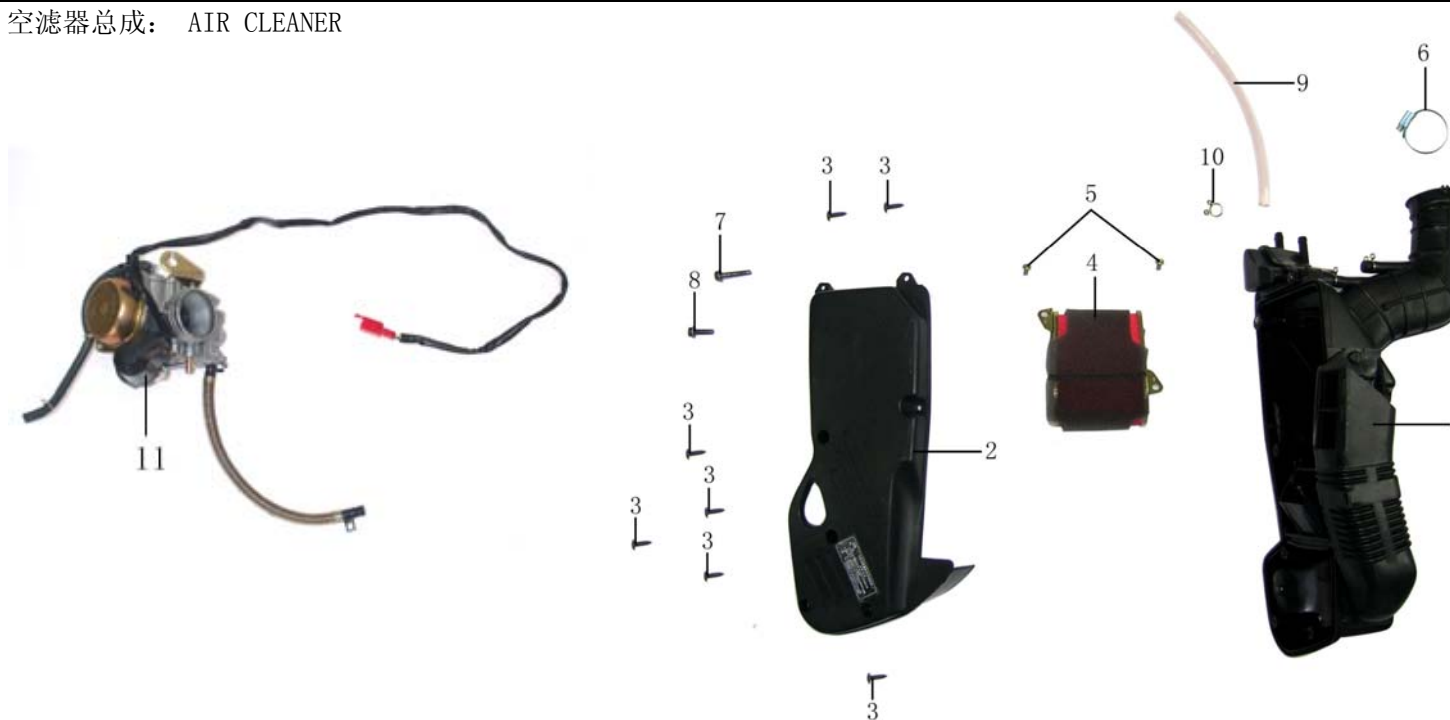
N0.	Part NO.	Description	Description in English	数量 Qty	PRICE
1.	090001	前泥板	FRONT FENDER	1	
2.	090002	六角法兰面螺栓 M6×12	HEXAGON BOLT M6×12	4	
3.	090003	左护条	PLASTIC PLATE, LEFT	1	
4.	090004	右护条	PLASTIC PLATE, RIGHT	1	
5.	090005	十字中扁头 M6×12	BOLT M6×12	2	
6.	090006	自攻螺钉 ST4.8×16	SELF-TAPPING SCREW ST4.8×16	2	



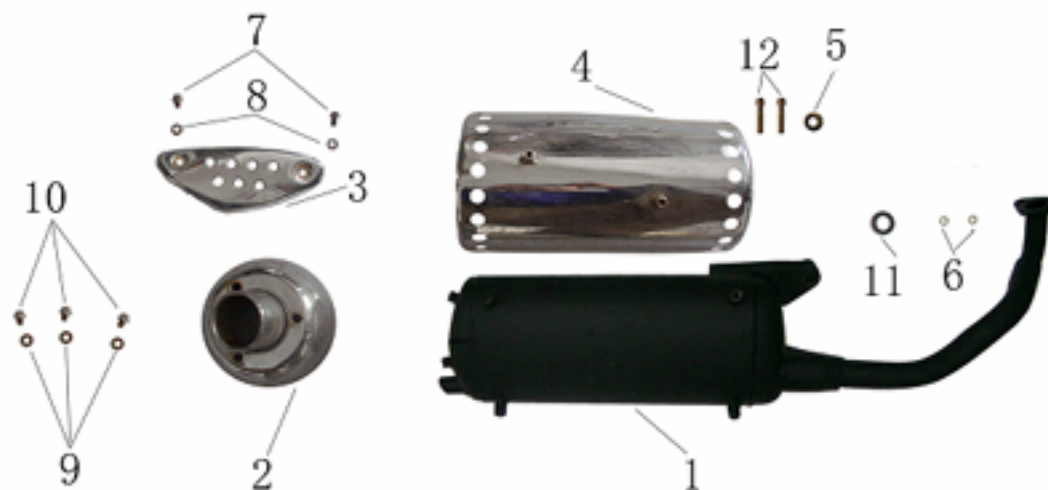
NO.	Part NO.	Description	Description in English	数量 Qty	PRICE
1.	100001	左前护条	FRONT SHIELD ,LEFT	1	
2.	100002	右前护条	FRONT SHIELD ,RIGHT	1	
3.	100003	前帽沿	FRONT PLASTIC PLATE	1	
4.	100004	左右反射体	REFLECTOR, LEFT/RIGHT	1	
5.	100005	夹片	CLIP	4	
6.	100006	十字中扁头 M6×16	BOLT M6×16	4	
7.	100007	自攻螺钉 ST4.2×12	SELF-TAPPING SCREW ST4.2×12	2	
8.	100008	六角法兰面螺母 M6	HEXAGON BOLT M6	2	

十一、空滤器总成： AIR CLEANER

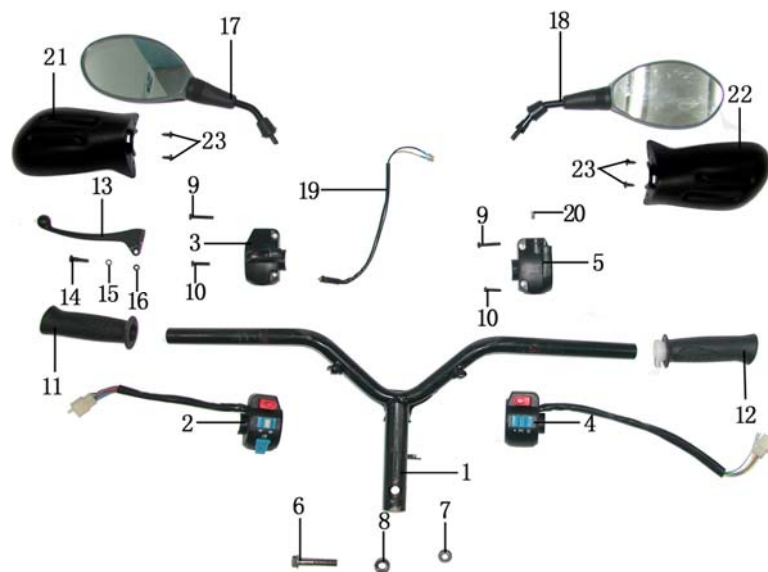
NO: 12



NO.	Part NO.	Description	Description in English	数量 Qty	PRICE
1.	110001	空滤器壳体	AIR FILTER	1	
2.	110002	空滤器盖	COVER OF AIR FILTER	1	
3.	110003	自攻螺钉 ST4.8×16	SELF-TAPPING SCREW ST4.8×16	7	
4.	110004	空滤器滤芯	AIR FILTER CORE	1	
5.	110005	十字盘头螺钉 M5×10	SCREW M5×10	2	
6.	110006	空滤器卡扣	CLIP OF AIR FILTER	1	
7.	110007	六角法兰面螺栓 M6×32	HEXAGON BOLT M6×32	1	
8.	110008	六角法兰面螺栓 M6×20	HEXAGON BOLT M6×20	1	
9.	110009	放水管	TUBE, LEAKING WATER	1	
10.	110010	卡簧Φ12	CLIP SPRINGΦ12	1	
11	110011	化油器	CARBURETOR	1	



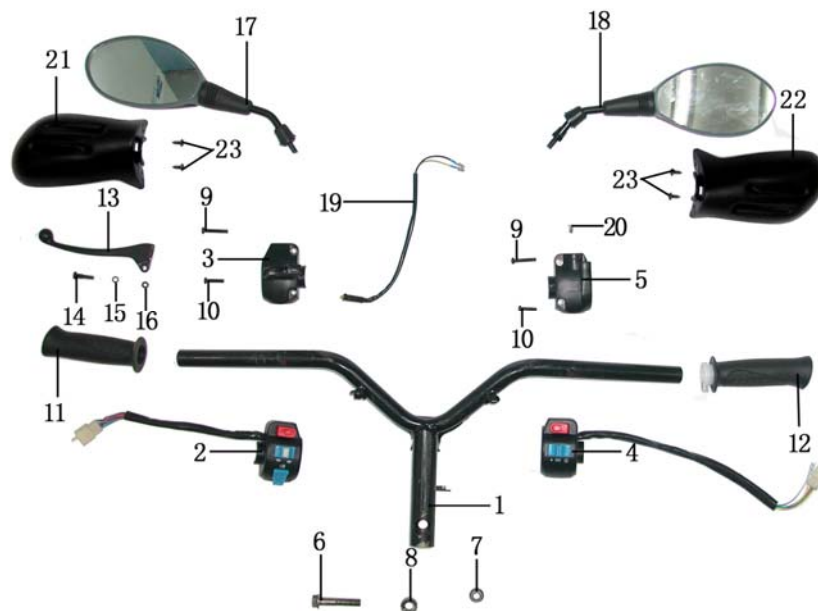
NO.	Part NO.	Description	Description in English	数量 Qty	PRICE
1.	120001	消声器	MUFFLER	1	
2.	120002	镀铬尾罩	REAR COVER	1	
3.	120003	镀铬装饰板 A	SIDE COVER A	1	
4.	120004	镀铬装饰板 B	SIDE COVER B	1	
5.	120005	六角法兰面螺母 M6	NUT M10	1	
6.	120006	盖形螺母 M6	ACORN NUT M6	2	
7.	120007	六角法兰面螺栓 M6×10	HEXAGON BOLT M6×10	2	
8.	120008	平垫片	WASHER	2	
9.	120009	平垫片	WASHER	3	
10.	120010	六角法兰面螺栓 M6×12	HEXAGON BOLT M6×8	3	
11.	120011	消声器出口垫圈	WASHER OF MUFFLER	9	
12.	120012	六角法兰面螺栓 M10×55	HEXAGON BOLT M10×55	2	



NO.	Part NO.	Description	Description in English	数量 Qty	PRICE
1.	130001	方向把	HANDLE BAR	1	
2.	130002	左手把开关前盖	FRONT COVER, LEFT HANDLEBAR SWITCH	1	
3.	130003	左手把开关后盖	REAR COVER, LEFT HANDLEBAR SWITCH	1	
4.	130004	右手把开关前盖	FRONT COVER, RIGHT HANDLEBAR SWITCH	1	
5.	130005	右手把开关后盖	REAR COVER, RIGHT HANDLEBAR SWITCH	1	
6.	130006	六角法兰面螺栓 M10×50	HEXAGON BOLT M10×50	1	
7.	130007	六角法兰面自锁螺母 M10	SELF-TAPPING BOLT M10	1	
8.	130008	方向把安装衬套	BUSHING	1	
9.	130009	十字槽盘头螺钉 M5×30	SCREW M5×30	2	
10.	130010	十字槽盘头螺钉 M5×20	SCREW M5×20	2	
11.	130011	左握把	LEFT HANDLEBAR	1	
12.	130012	右握把	Right grip	1	

十三、方向把总成

NO: 15



N0.	Part NO.	Description	Description in English	数量 Qty	PRICE
13.	130013	后刹手柄	REAR BRAKE LEVER	1	
14.	130014	后刹手柄专用螺栓 M5×22	BOLT M5×22	1	
15.	130015	弹簧垫片 Φ5	SPRING WASHER Φ5	1	
16.	130016	六角头螺母 M5	HEXAGON NUT M5	1	
17.	130017	左后视镜	MIRROR, LEFT	1	
18.	130018	右后视镜	MIRROR, RIGHT	1	
19.	130019	刹车灯开关	SWITCH, BRAKE LIGHT	1	
20.	130020	平头螺钉 M5×12	SCREW M5×12	1	
21.	130021	左把手护盖	COVER OF HANDLEBAR, LEFT	1	
22.	130022	右把手护盖	COVER OF HANDLEBAR, RIGHT	1	
23.	130023	自攻螺钉 ST4.8×12	SELF-TAPPING SCREW ST4.8×12	4	

十四、座垫

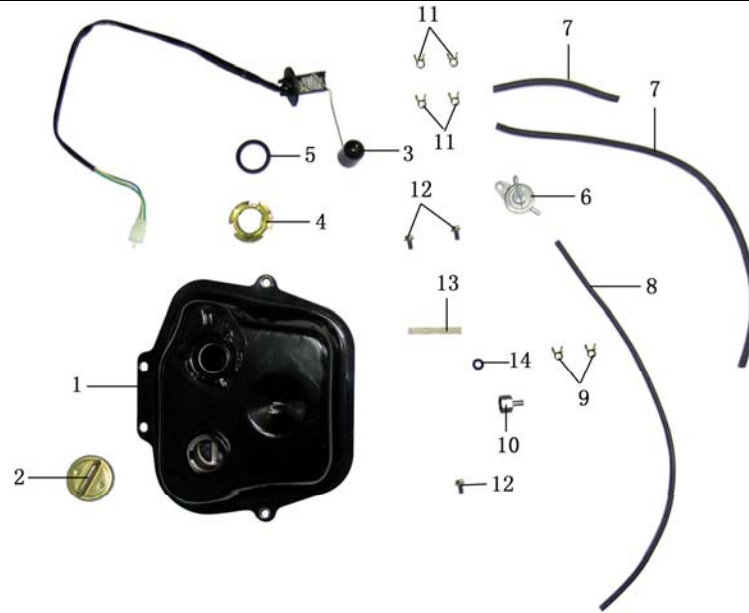
NO: 16



NO.	Part NO.	Description	Description in English	数量 Qty	PRICE
1.	140001	座垫	SAET ASSY	1	
2.	140002	杂物箱	LUGGAGE BOX	1	
3.	140003	六角法兰面螺栓 M6×12	HEXAGON BOLT M6×12	2	
4.	140004	座垫摇臂	SEAT ROCKET	1	
5.	140005	座垫销轴	SEAT CLIP	1	
6.	140006	六角法兰面螺母 M6	HEXAGON BOLT M6	3	
7.	140007	十字大扁头螺钉 M6×20	SCREW M6×20	1	
8.	140008	杂物箱内罩	INNER COVER OF LUGGAGE	1	
9.	140009	六角头螺母 M6	HEXAGON NUT M6	2	
10.	140010	自攻螺钉 ST4.8×12	SELF-TAPING SCREW ST4.8×12	1	

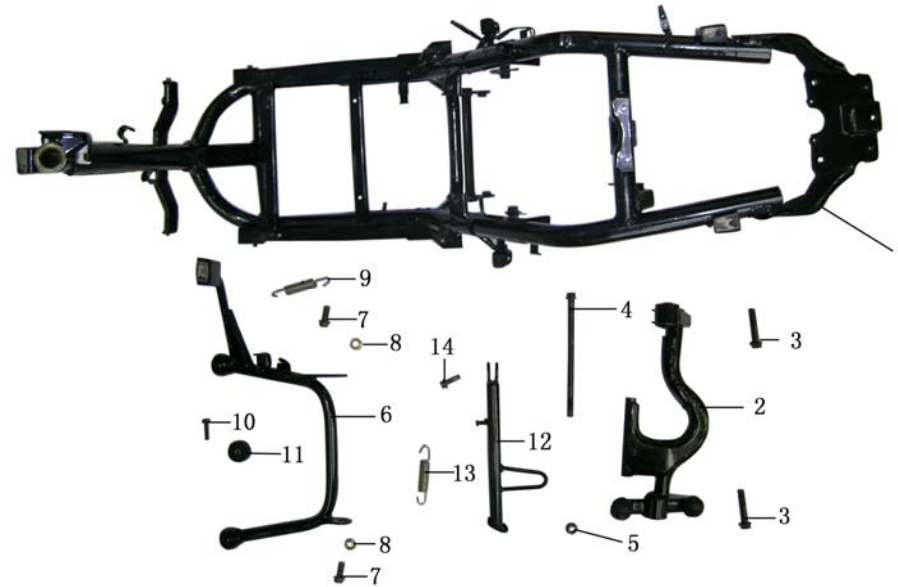
十五、油箱 FUEL TANK

NO: 17



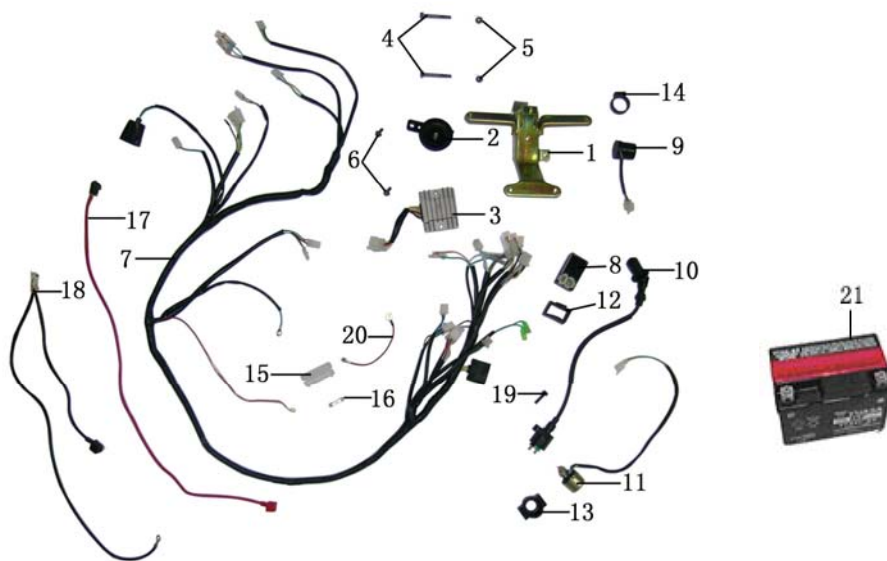
NO.	Part NO.	Description	Description in English	数量 Qty	PRICE
1.	150001	油箱	FUEL TANK	1	
2.	150002	油箱盖	COVER, FUEL BOX	1	
3.	150003	燃油传感器	FUEL SENSOR	1	
4.	150004	传感器压板	PLATE, FUEL SENSOR	1	
5.	150005	传感器垫圈	WASHER, FUEL SENSOR	1	
6.	150006	燃油开关	PETROLIC SWITCH	1	
7.	150007	油管	FUEL TUBE	1	
8.	150008	负压管	GAS TUBE	1	
9.	150009	卡簧	CLIP SPRING	0	
10.	150010	出油口螺母	NUT , OUT OIL	0	
11.	150011	卡簧	CLIP SPRING	0	
12.	150012	六角法兰面螺栓 M6×12	HEXAGON BOLT M6×12	0	



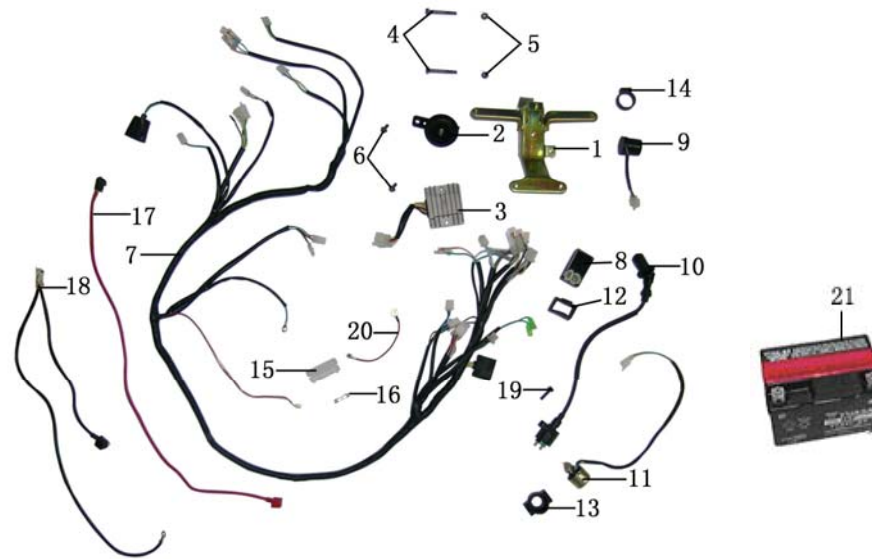


NO.	Part NO.	Description	Description in English	数量 Qty	PRICE
1.	160001	车架	VEHICLE FRAME	1	
2.	160002	动力吊架	ENGINE HANGER	1	
3.	160003	六角法兰面螺栓 M10×50	HEXAGON BOLT M10×50	2	
4.	160004	动力吊架轴 M10×185	CENTER STAND M10×185	1	
5.	160005	六角法兰面自锁螺母 M10	HEXAGON BOLT M10	1	
6.	160006	双撑	CENTER STAND	1	
7.	160007	六角法兰面螺栓 M10×25	HEXAGON BOLT M10×25	2	
8.	160008	双撑衬套	BUSHING, CENTER STAND	2	
9.	160009	双撑拉簧	SPRING CENTER STAND	1	
10.	160010	六角法兰面螺栓 M6×25	BOLT M6×25	1	
11.	160011	双撑缓冲块	BUFFER OF CENTER STAND	1	
12.	160012	单撑	SIDE STAND	1	

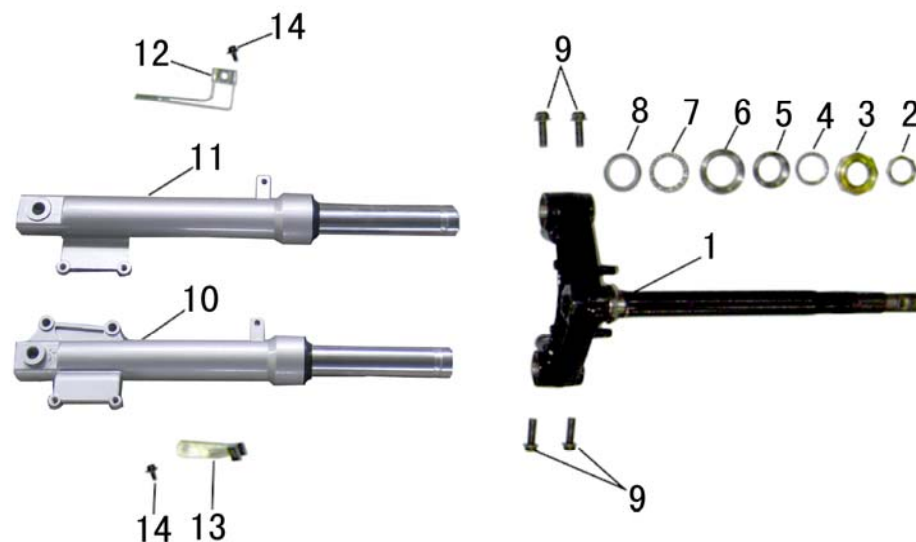




NO.	Part NO.	Description	Description in English	数量 Qty	PRICE
1.	170001	喇叭支架	BRACKET, HORN	1	
2.	170002	喇叭	HORN	1	
3.	170003	整流器	RECTIFIER	1	
4.	170004	六角法兰面螺栓 M6×55	HEXAGON BOLT M6×55	1	
5.	170005	六角法兰面螺母 M6	HEXAGON BOLT M6	1	
6.	170006	六角法兰面螺栓 M6×16	HEXAGON BOLT M6×16	1	
7.	170007	主电缆	MAIN CABLE	1	
8.	170008	点火器	CDI ASSY	1	
9.	170009	闪光器	FLASHER	1	
10.	170010	高压包	HIGH-VOLTAGE LOOP ASSY	1	
11.	170011	继电器	RELAY	1	
12.	170012	点火器护套	JACKET, CDI	1	



NO.	Part NO.	Description	Description in English	数量 Qty	PRICE
13.	170013	继电器护套	CAP RELAY ASSY	1	
14.	170014	闪光器器护套	FLASHER CAP	1	
15.	170015	保险丝座	FUSE BOX	1	
16.	170016	保险丝	FUSE	1	
17.	170017	正极线	+ CABLE OF FUSE	1	
18.	170018	负极线	- CABLE OF FUSE	1	
19.	170019	六角法兰面螺栓 M6×12	HEXAGON BOLT M6×12	1	
20.	170020	保险丝线	FUSE CABLE	1	
21	170021	蓄电池	BATTERY BOX	1	



NO.	Part NO.	Description	Description in English	数量 Qty	PRICE
1.	180001	下联板	FRONT FORK	1	
2.	180002	压紧螺母	LOCK NUT	1	
3.	180003	上凸钢碗	UNDER COVER BEARING BOWL	1	
4.	180004	滚珠	UPPER BALL	1	
5.	180005	上凹钢碗	UNDER COVER BEARING BOWL	1	
6.	180006	下凹钢碗	UPPER COVER BEARING BOWL	1	
7.	180007	滚珠	UPPER BALL	1	
8.	180008	下凸钢碗	UNDER COVER BEARING BOWL	1	
9.	180009	六角法兰面螺栓 M8×48	HEXAGON BOLT M8×48	4	
10.	180010	前右减震器	FRONT ABSORBER ASSY,RIGH	1	
11.	180011	前左减震器	FRONT ABSORBER ASSY,LEFT	1	
12.	180012	里程线夹	CLIP ,SPEEDOMETER	1	



十九、后轮总成 REAR WHEEL

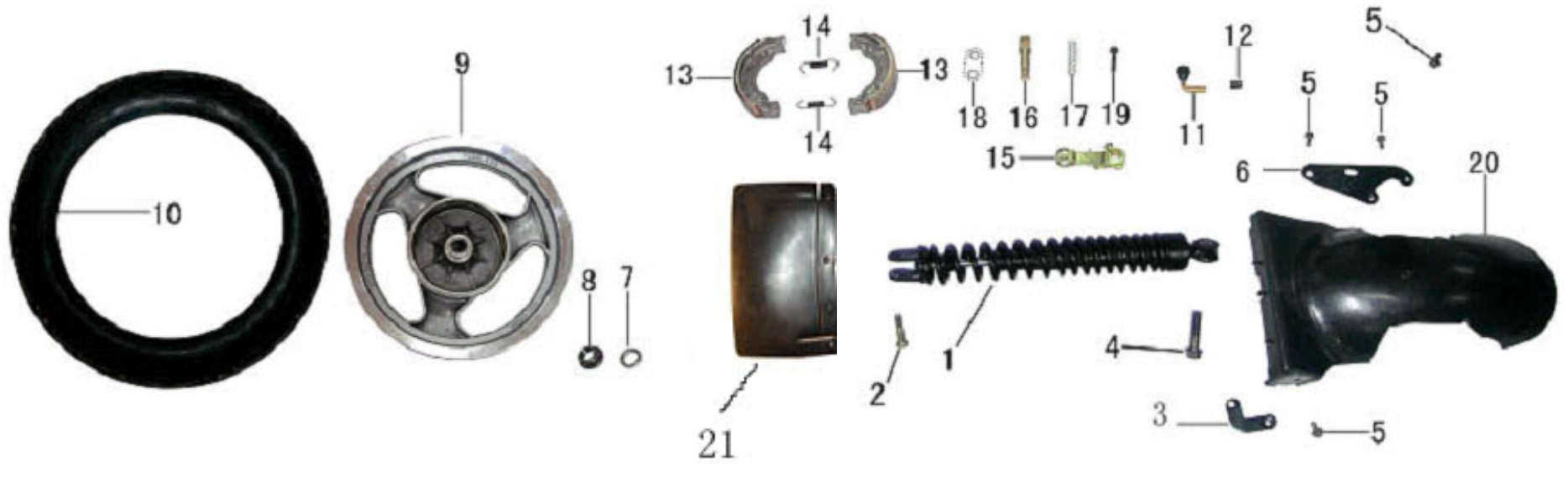
NO: 25



NO.	Part NO.	Description	Description in English	数量 Qty	PRICE
1.	190001	后减震器	REAR ABSORBER ASSY	1	
2.	190002	六角头螺栓 M8×32	BOLT M8×32	1	
3.	190003	后泥板左支架	BRACKET, REAR FENDER, LEFT	1	
4.	190004	六角法兰面螺栓 M10×40	HEXAGON BOLT M10×40	1	
5.	190005	六角法兰面螺栓 M6×12	HEXAGON BOLT M6×12	4	
6.	190006	后泥板右支架	BRACKET, REAR FENDER, RIGHT	1	
7.	190007	后铝轮垫片	WASHER	1	
8.	190008	六角法兰面自锁螺母 M16	HEXAGON LOCK NUT M16	1	
9.	190009	后铝轮	REAR WHEEL	0	
10.	190010	后轮胎 120/70-12	TYRE 120/70-12	0	
11.	190011	充气嘴	CHARGE VALVE	0	
12.	190012	充气嘴帽	CAP, CHARGE VALVE	0	

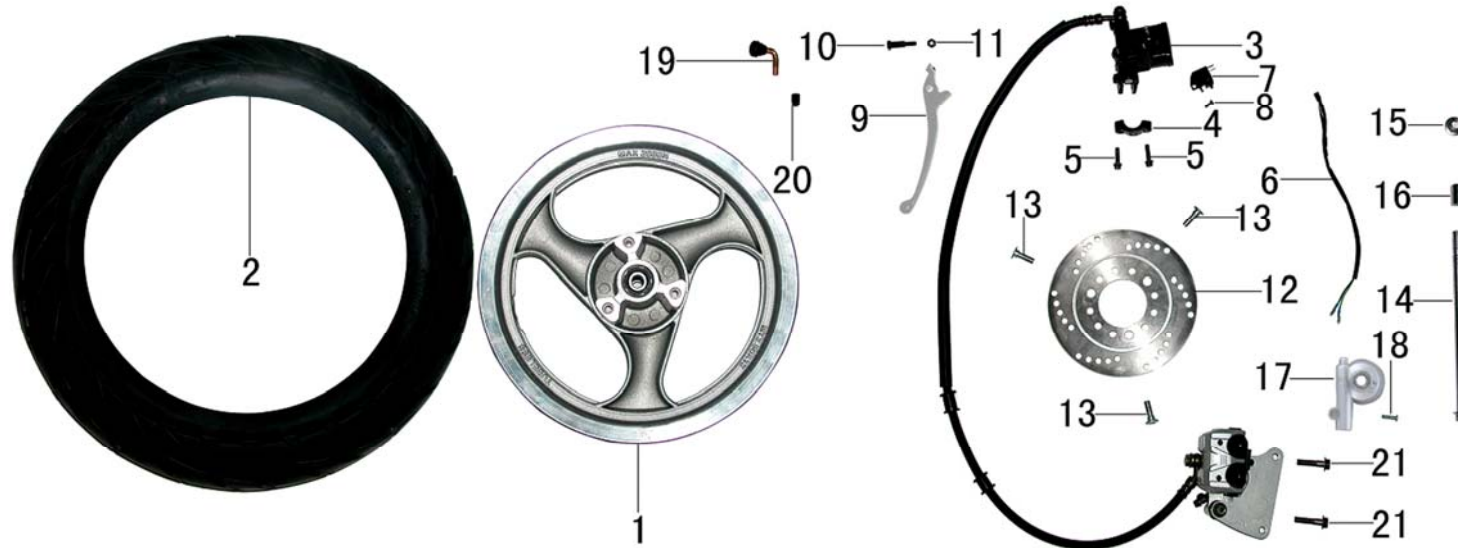
十九、后轮总成

NO: 26

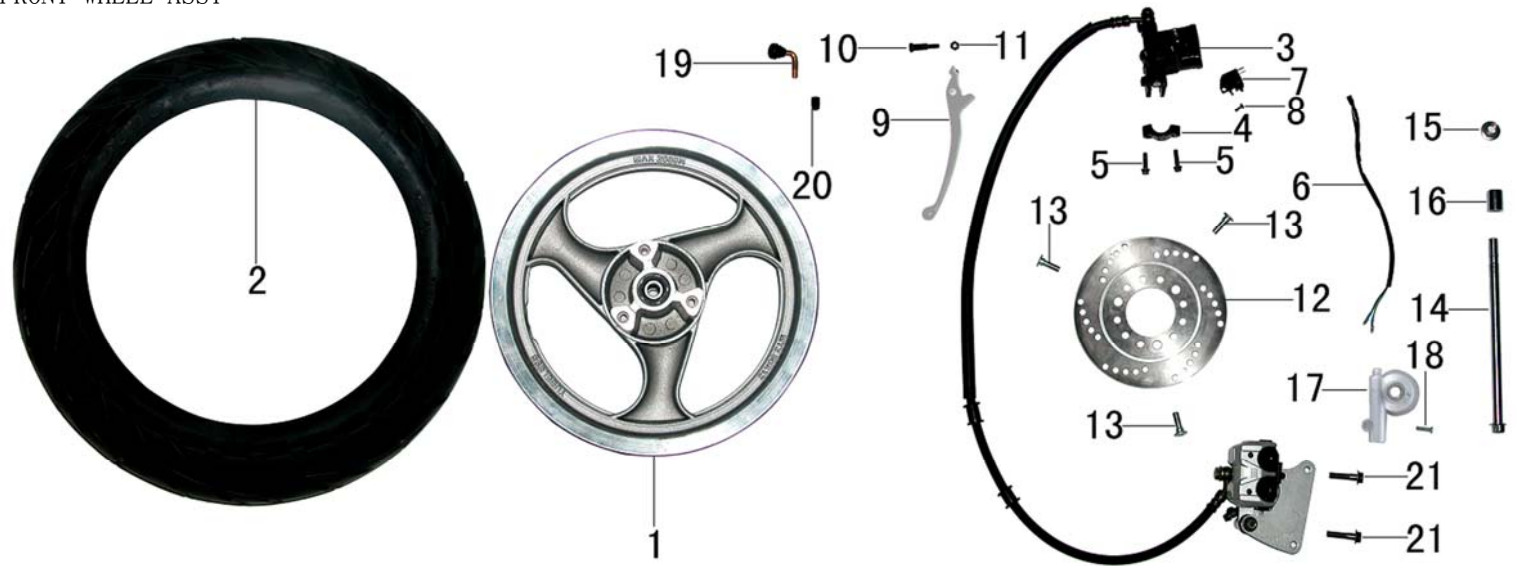


NO.	Part NO.	Description	Description in English	数量 Qty	PRICE
13.	190013	后刹车蹄块	REAR BRAKE SHOE	2	
14.	190014	蹄块回位拉簧	SPRING, REAR BRAKE SHOE	2	
15.	190015	后刹车摇臂	ARM, REAR BRAKE	1	
16.	190016	后刹车凸轮轴	CAMSHAFT, REAR BRAKE	1	
17.	190017	后刹车回位弹簧	SPRING, REAR BRAKE	1	
18.	190018	O 形圈	O RING	2	
19.	190019	六角法兰面螺栓 M6×32	HEXAGON BOLT M 6×32	1	
20.	190020	后轮挡泥板	FENDER OF REAR WHEEL	1	
21.	190021	后泥板防尘皮	ANTI-DIRT HUSK, REAR FENDER	1	





NO.	Part NO.	Description	Description in English	数量 Qty	PRICE
1.	210001	前铝轮	FRNOT WHEEL	1	
2.	210002	轮胎	TYRE	1	
3.	210003	液压盘式制动器	DISK BRAKE ASSY	1	
4.	210004	上泵压块	PLATE, DISK BRAKE UPPER PUMP	1	
5.	210005	六角法兰面螺栓 M6×20	HEXAGON BOLT M6×20	2	
6.	210006	刹车灯线	CABLE, DISK BRAKE	1	
7.	210007	刹车灯开关	SWITCH, BRAKE LIGHT	1	
8.	210008	开关固定螺栓	SWITCH BOLT	1	
9.	210009	制动手柄	BRAKE LEVER	1	
10.	210010	六角头专用螺栓 M6×25	BOLT M6×25	1	
11.	210011	六角头螺母 M6	HEXAGON NUT M6	1	
12.	210012	液压盘	DISK BRAKE PANEL	1	



NO.	Part NO.	Description	Description in English	数量 Qty	PRICE
13.	210013	液压盘固定螺栓	BOLT OF DISK BRAKE	3	
14.	210014	前轮轴	FRONT AXLE	1	
15.	210015	六角法兰面自锁螺母 M12	HEXAGON NUT M12	1	
16.	210016	前轮轴套	BUSHING, FRONT WHEEL	1	
17.	210017	计速器	SPEED GEAR ASSY	1	
18.	210018	十字槽沉头螺钉 M5×16	SCREW M5×16	1	
19.	210019	充气嘴	VALVE STEM	1	
20.	210020	充气嘴帽	CAP, VALVE STEM	1	
21.	210021	六角法兰面螺栓 M8×30	HEXAGON BOLT M8×30	2	